

Aludrain

LOW LEVEL THRESHOLD DRAINAGE SYSTEM

The ultimate Drainage System
for low level thresholds.

Comply with building
regulations for a drained
vented area in front of low-
level thresholds. **Fit Aludrain!**

Suitable for all commercial
and industrial use.



Aludrain from Mayfield Manufacturing Limited
Hemingby · Horncastle · Lincolnshire · LN9 5QQ
Telephone 01507 578630 · Facsimile 01507 578609

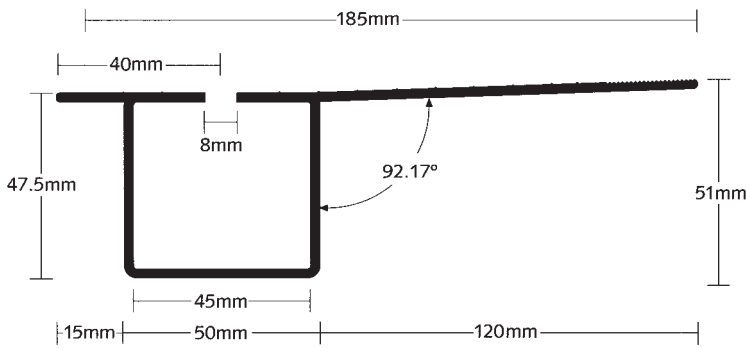
Website www.aludrain.co.uk



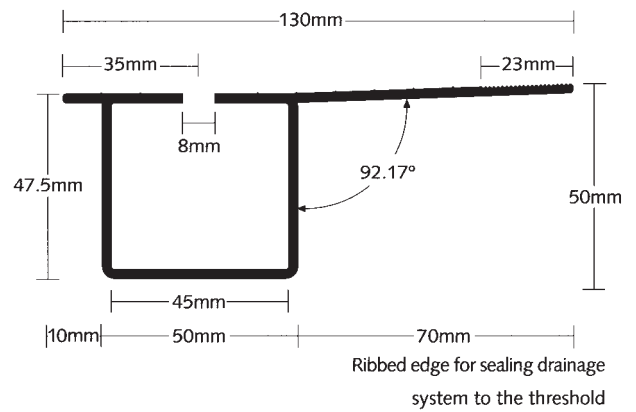
Registered Patent Number 2092181

BENEFITS AND SPECIFICATIONS

Aludrain '185'



Aludrain '130'



- Enables excellent drainage.
- Allows access for all wheelchair users.
- Flexible to fit any size threshold, old or new.
- High quality aluminium extrusion.
- Stylish anodised aluminium design.
- Fits to any exterior surface.
- Easy, cost-effective installation.
- Anti-slip surface for added safety.



Alloy 6060T6 Gen Wall 2.5mm
Anodised finish in AA25 microns

Cross-section of drainage system
fitted to threshold



Aludrain from Mayfield Manufacturing Limited

Hemingby

Horncastle

Lincolnshire

LN9 5QQ

Telephone 01507 578630

Facsimile 01507 578609

Website www.aludrain.co.uk

